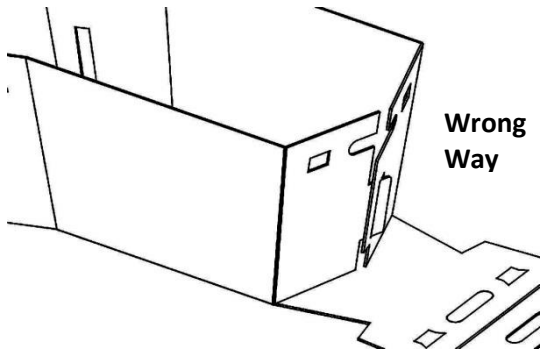


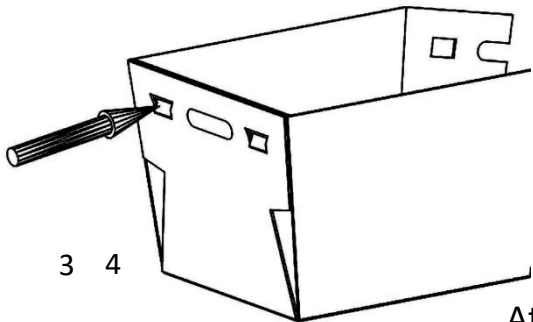
Bin Instructions



**Wrong
Way**

Assembly:

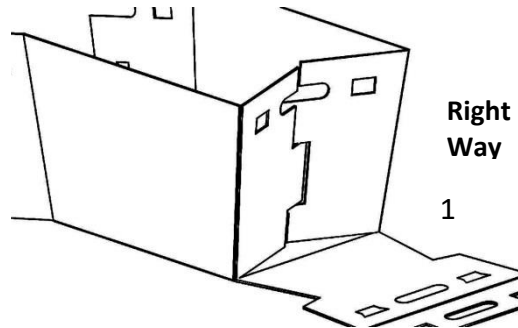
- 1 Push flaps inside the bin, point tab to slot and insert.
- 2 Pull back inserted flaps to the bin side to interlock.
- 3 Fold long side panel up, top panel down over flaps.
- 4 Hold panels tight inside, push snap fits in thru slots.



3 4

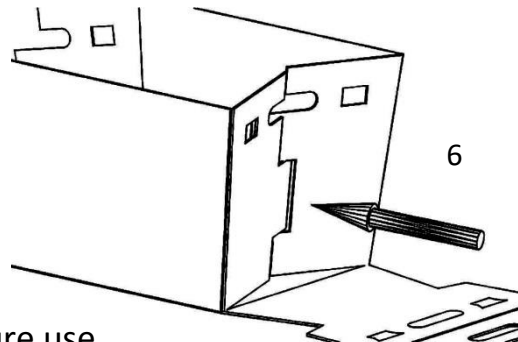
Disassembly:

- 5 Push all snap fits back out.
- 6 Push both flaps inward to disengage. DO NOT tear apart flaps to disassemble.



**Right
Way**

1



6

Attach label to inside for future use.