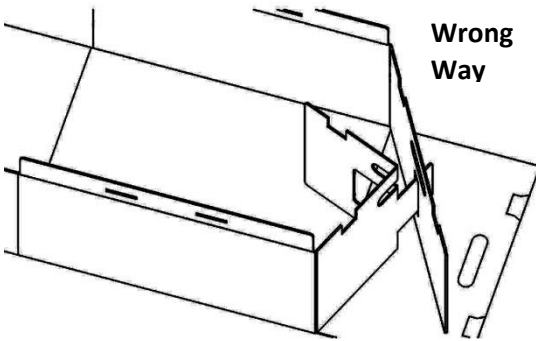


Box Instructions

**Wrong
Way**



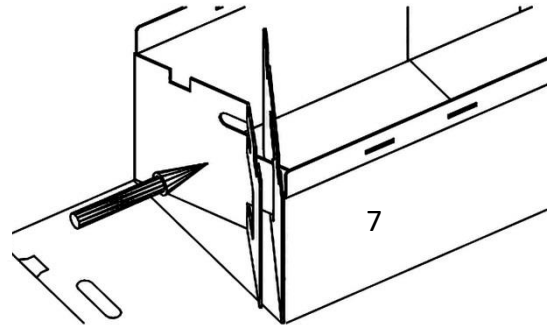
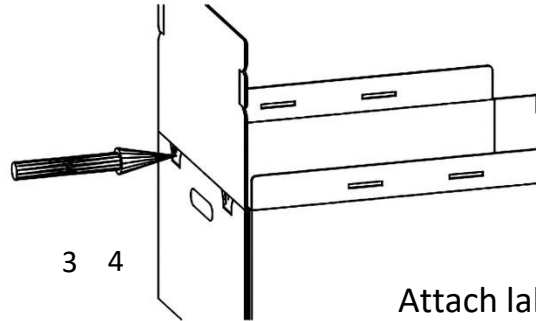
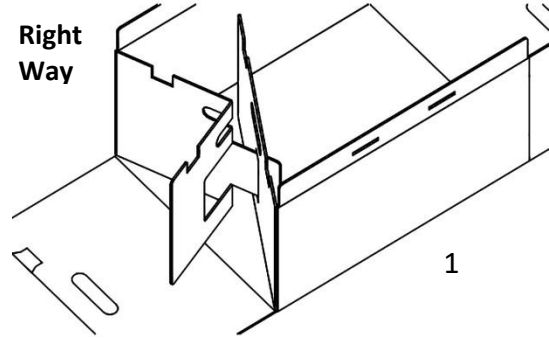
Assembly

- 1 Push flaps inside the box, point tab to slot and insert.
- 2 Pull back inserted flaps to box side to interlock.
- 3 Fold up long side panels.
- 4 Hold flaps tight from inside, push snap fits in thru slots.
- 5 Insert lid tab in each slot.

Disassembly

- 6 Push all snap fits back out.
- 7 Push both flaps inward to disengage. DO NOT tear apart flaps to disassemble.

**Right
Way**



Attach label to inside for future use.