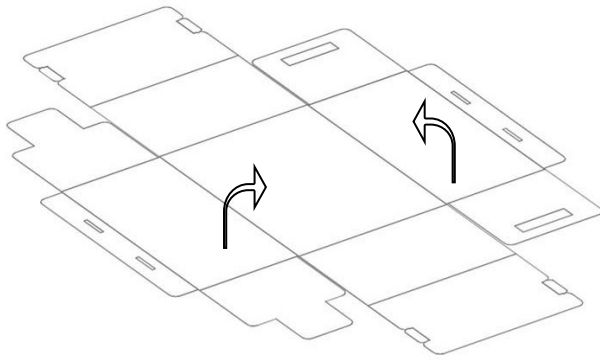
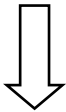


ReusePac Interlock Flap Reusable Box Instructions

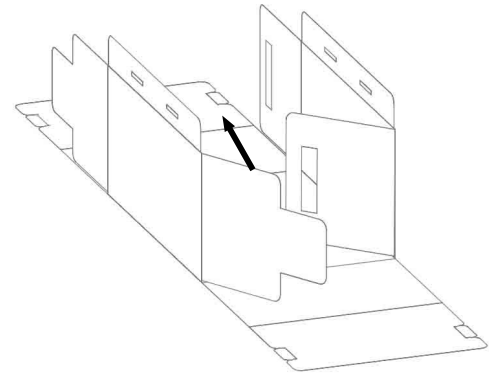
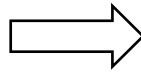
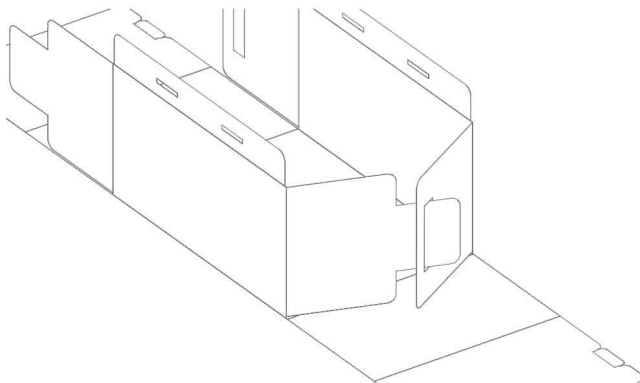
Assembly



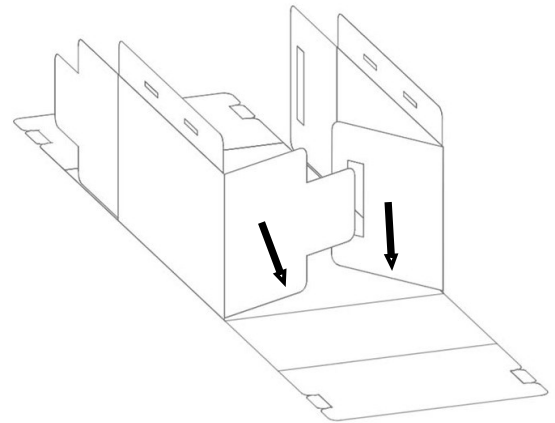
Step1. Raise panels and flaps over fold lines.



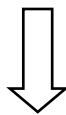
Wrong Way !



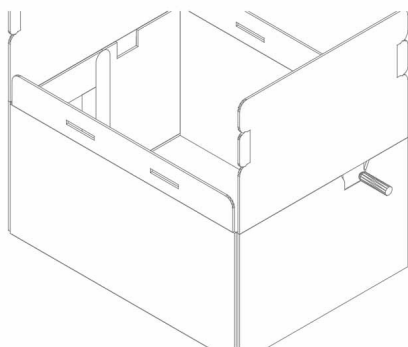
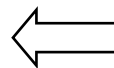
Step2. Fold flaps all the way to the inside.



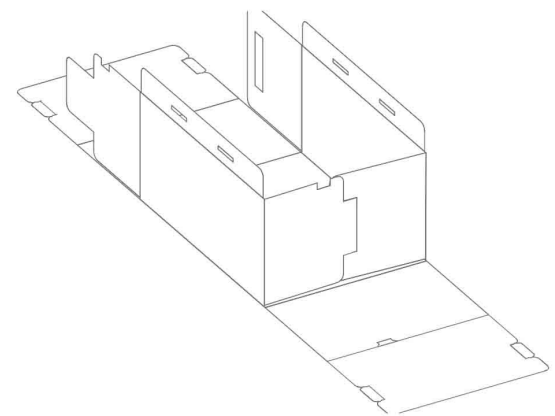
Step3. Point tabs to slots, pull back flaps for tabs to insert into slots.



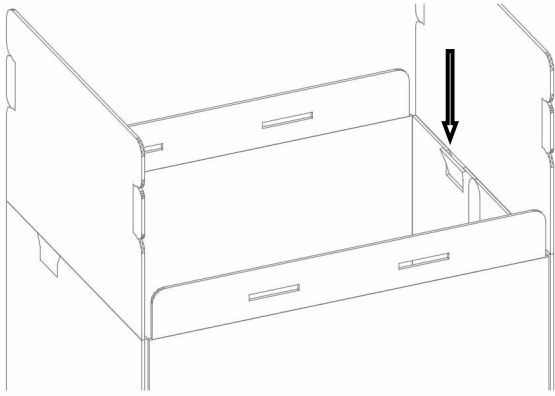
Right Way !



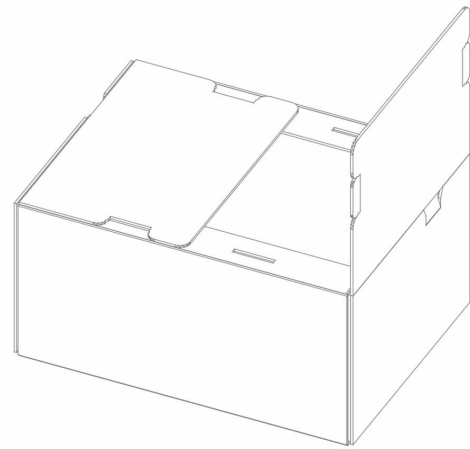
Step5. Raise side panel. Hold flap to panel tight together near snap fit pin. Use finger or pen to push snap fit pin middle, bending thru the slot.



Step4. Pull back flaps to the sides to interlock.

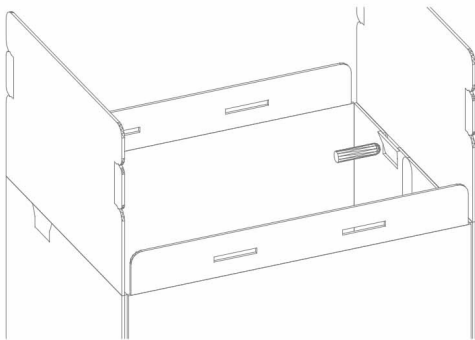


Step6. Snap fit pin all the way inside, lock against the slot vertical sides.

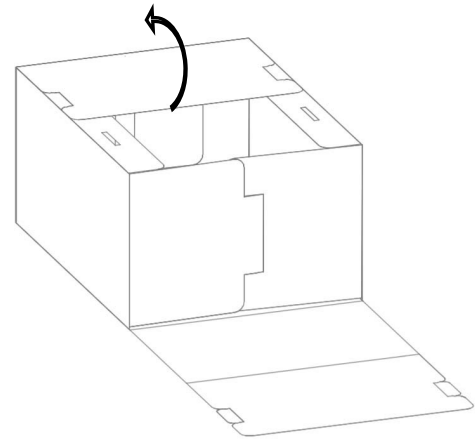


Step7. Push down flaps and locking tabs into locking slots to close the box.

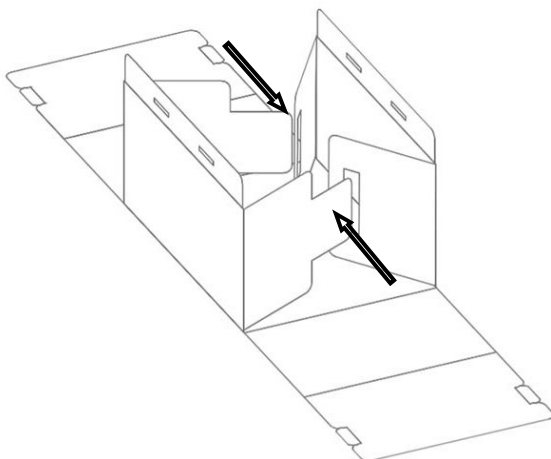
Disassembly



Step1. Push the middle of snap fit pins back, bending thru the slots. Or simply pull away side panel to disengage the snap fit.



Step2. Pull flaps up and side panels down from the box top and sides.



Step3. Push the middle in until all the flaps are disengaged from the interlocks. DO NOT pull panels or flaps side ways to disassemble.



Polypropylene material that the boxes are made of is 100% recyclable.

For more information, please visit www.ReusePac.com