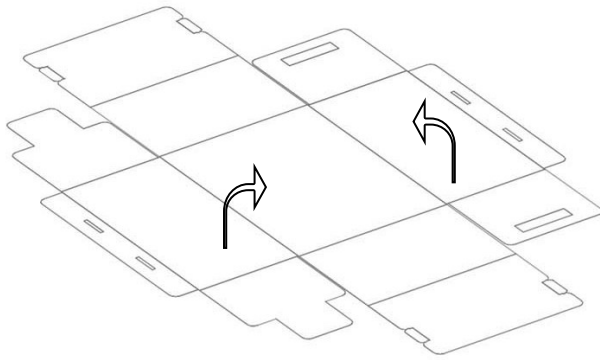
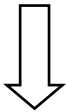


# ReusePac Interlock Flap Reusable Box Instructions

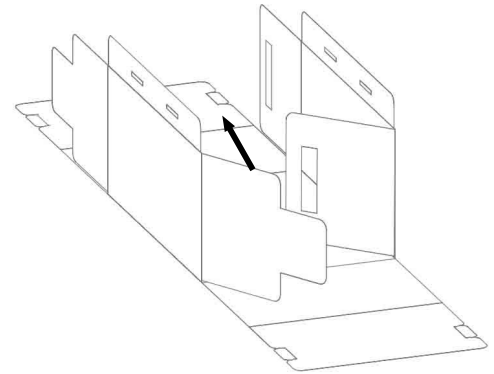
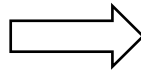
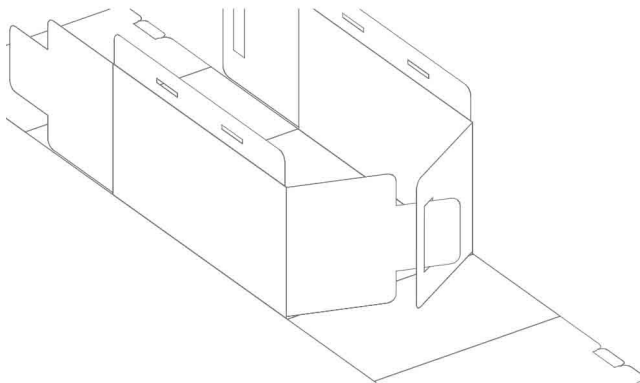
## Assembly



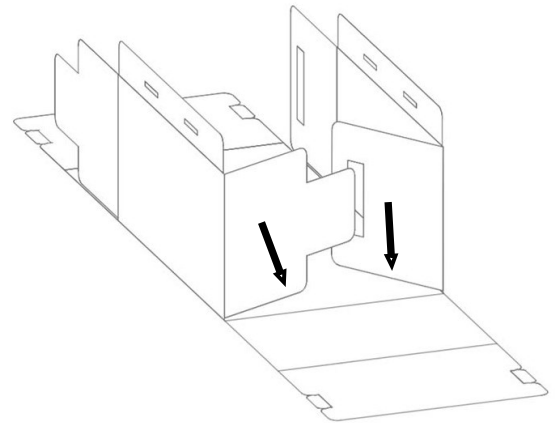
**Step1.** Raise panels and flaps over fold lines.



**Wrong Way !**

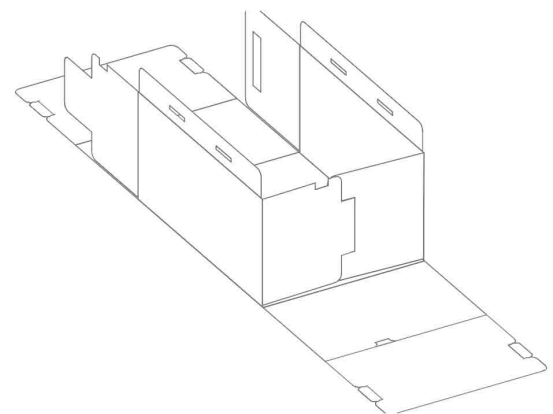
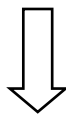


**Step2.** Fold flaps all the way to the inside.

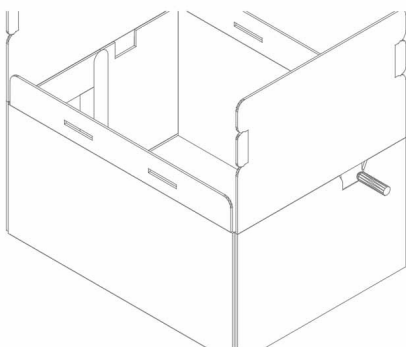
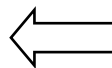


**Step3.** Point tabs to slots, pull back flaps for tabs to insert into slots.

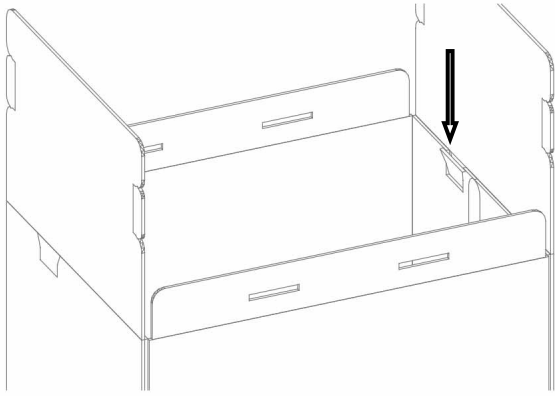
**Right Way !**



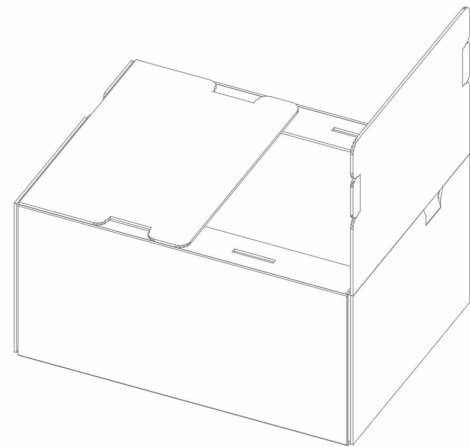
**Step4.** Pull back flaps to the sides to interlock.



**Step5.** Raise side panel. Hold flap to panel tight together near snap fit pin. Use finger or pen to push snap fit pin middle, bending thru the slot.

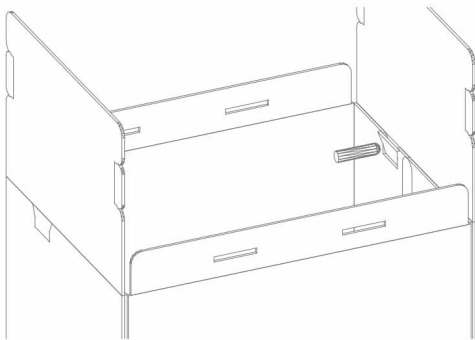


**Step6.** Snap fit pin all the way inside, lock against the slot vertical sides.

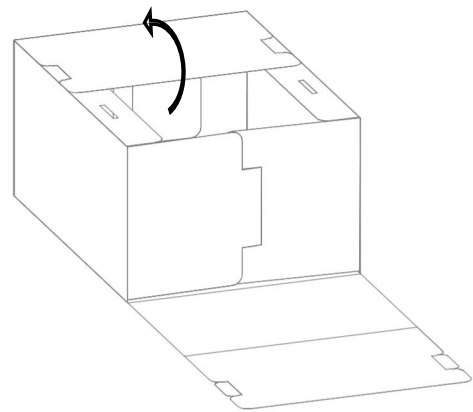


**Step7.** Push down flaps and locking tabs into locking slots to close the box.

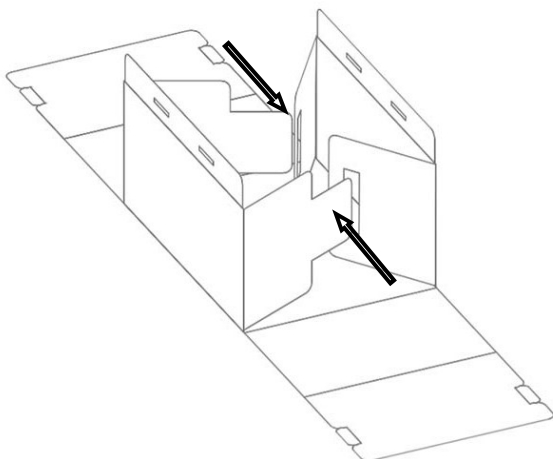
## Disassembly



**Step1.** Push the middle of snap fit pins back, bending thru the slots. Or simply pull away side panel to disengage the snap fit.



**Step2.** Pull flaps up and side panels down from the box top and sides.



**Step3.** Push the middle in until all the flaps are disengaged from the interlocks. DO NOT pull panels or flaps side ways to disassemble.



**Polypropylene material that the boxes are made of is 100% recyclable.**

*For more information, please visit [www.ReusePac.com](http://www.ReusePac.com)*